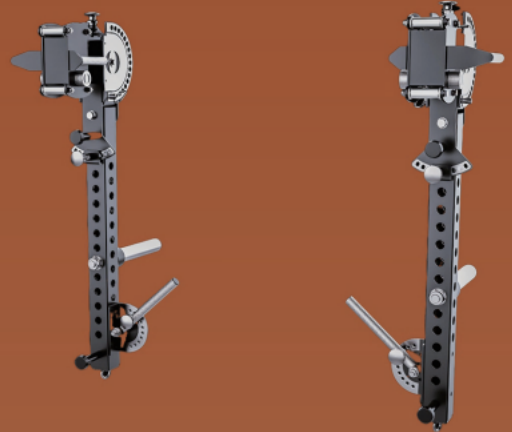




# OLYMPIAN FRONTIERS



## *GENERAL CATALOGUE*







# C ONTENTS

01	<b>ABOUT US</b>	01-02	06	<b>BACK</b>	27-29
				- PULLOVER & ARMS BLASTER 5 IN 1	27
				- HYPER CHEST SUPPORTED ROW 2 IN 1	28
				- LAT ROW MF CABLE TOWER	29
				- CHIN DIP PRO	29
02	<b>RACKS &amp; ALL-IN-ONE</b>		07	<b>CHEST</b>	30-32
	<b>MULTI-FUNCTIONAL TRAINERS</b>	03-08		- SELECTORISED PEC DECK & REAR DELT	30
	- QUAD PULLEY ALL-IN-ONE	03		- CONVERGING POWER SMITH PRO 4 IN 1	30
	- FREE MOTION ARM ALL-IN-ONE	05		- CHIN DIP PRO	31
	- ZENITH ULTRA ARMS	07		- MULTI FLIGHT	31
				- PLATE LOADED PEC DECK & REAR DELT	32
03	<b>WEIGHTS</b>	09-12	08	<b>DELTS</b>	33-34
	- STAINLESS STEEL & CPU URETHANE DUMBBELLS	09		- THE DELTONATOR	33
	- STAINLESS & PREMIUM ALLOY BARBELLS	11		- MULTI FLIGHT	33
				- SELECTORISED REAR DELT & PEC DECK	34
				- CONVERGING POWER SMITH PRO 4 IN 1	34
				- VIKING SQUAT CALF PRO	34
				- PLATE LOADED REAR DELT & PEC DECK	34
04	<b>LEGS</b>	13-22	09	<b>ARMS</b>	35-36
	- GHD HYPER REVERSE-HYPER 3 IN 1	13		- ARMS BLASTER + PULLOVER 5 IN 1	35
	- ZENITH 69 DEGREE LEG PRESS PRO	15		- SELECTORISED MULTI GRIP BICEPS & TRICEPS	36
	- HACK PRESS PRO	16		- LAT ROW MF CABLE TOWER	36
	- SELECTORISED LEG EXTENSION & SEATED CURL	16		- PLATE LOADED BICEPS & TRICEPS	36
	- LINKAGE LEG EXTENSION & LYING CURL 2 IN 1	17			
	- NORDIC & ANTERIOR CHAIN + GHD 3 IN 1	18	10	<b>BENCHES &amp; BOXING MACHINES</b>	37-38
	- VIKING SQUAT CALF PRO	19		- ZENITH ONE BENCH	37
	- CABLED LEG EXTENSION & LYING CURL 2 IN 1	20		- MULTI TARGET KICKBOXING STATION	38
	- SEATED CALF & TIBIA RAISE 2 IN 1	20			
	- GROUND BASED MF TRAINER	21			
	- V-POWER SQUAT PRO	21			
	- SEATED & LYING CURL + EXTENSION 3 IN 1	22			
	- PENDULUM SQUAT PRO	22			
			11	<b>AVANT-GARDE FIT-OUTS</b>	39-46
05	<b>GLUTES</b>	23-26		- MIRRORS	39
	- ZENITH GLUTE DRIVE PRO	23		- QUIET GYM FAN	40
	- LOADED GLYPERS	24		- WEIGHT LIFTING PLATFORMS	41
	- STANDING HIP THRUSTER	24		- LOGO SIGNAGE	42
	- GLUTEATOR PRO	25		- RUBBER MATS	43
	- MULTI HIP ABDUCTOR & ADDUCTOR 2 IN 1	25		- ASTRO TURFS (ARTIFICIAL GRASS)	44
	- 3D SMITH HIP THRUSTER	26		- LIGHTING	45
	- POWER RUNNER PRO	26		- WALLPAPERS / MURALS	46
	- POSTERIOR CHAIN ISOLATOR	26			
	- ISOLATING GLUTE KICKBACK	26			



# ABOUT

## WHY CHOOSE OLYMPIAN FRONTIERS

- We are committed to delivering premium quality innovative gym equipment. With our own factory and no middlemen, we guarantee the lowest prices on everything we offer.
- As industry leaders, we stay ahead by attending the world's largest fitness expos annually, drawing inspiration from the latest technologies and designs to continually enhance our products.
- Our services go beyond design and manufacturing; we are a one-stop shop for everything from renovation and fit-outs to premium gym gear supply and installation.
- Unlike most companies, most of our products are available for viewing in our showroom. We also use our own equipment, allowing professionals to train and provide real-world feedback, which drives our continuous improvement

## OUR STORY

·Our current team of exercise scientists, senior engineers, and fitness enthusiasts originated from just me, the founder of the company, in 2018. I had the support of my father and grandfather, both senior engineers. I hold a degree in medical science and have been a personal trainer & nutritionist since 2012.

·In my first home gym, I had a pair of U90 PowerBlocks, a Free Motion Dual Arm Functional Trainer, a Barbarian Line cage, and an IronMaster Superbench, all set up in the back of my tandem garage in Mosman Bay, Sydney. As you can tell, I'm definitely a 'buy once, cry once' guy; quality is crucial to me as I believe it directly impacts training results. Over time, I upgraded to more commercial equipment like Hammer Strength & Life Fitness. I held 3 gym memberships at Ian Thorpe Aquatic Centre, Virgin Active, & Anytime Fitness, enjoying the variety in my training programs, which I designed for both myself & my clients.

·my nearly two decades of exercise experience have made me intimately familiar with the structures & leverages of how machines work. Although I'm the only one in my family not formally in the engineering business, I've definitely inherited the genes. My father has run a bio-tech engineering company for over three decades, and my grandfather, a ship structural engineer, published several books after his retirement.

·With the technical support of 2 senior engineers, I've been able to focus on understanding the needs of different gym equipment markets. My experience training in various gym environments has been invaluable in identifying what each market truly requires. From operating at home to running commercial display rooms and gyms, we have grown exponentially over the last few years and have built a reputable name in the industry.

·We attend the world's largest Fitness Expo every year and have access to over 1,000 reputable manufacturers. Additionally, we own a manufacturing plant in Shanghai, China, that produces high-precision bio-tech medical machines. The fitness industry is evolving, just like the world around us—cars are becoming fully electric, and there's a similar trend in fitness equipment. China is incredibly advanced in technology and manufacturing, and with our quality check team, we ensure the highest quality in our products.)





OLYMPIAN FRONTIERS®







**QUAD PULLEY ALL-IN-ONE MF TRAINER**

- UNIQUE PATENT PENDING QUAD PULLEY SYSTEM PROVIDING BOTH 2:1 AND 1:1 RATIOS.
- SUPER COMPACT FOOTPRINT AT ONLY 60CM DEPTH WITHOUT SMITH. 90CM WITH SMITH.
- 160KG DUAL WEIGHT STACKS MADE OF PURE CARBON STEEL.
- EXTRA PLATE HOLDERS FOR HEAVY LAT PULL DOWNS & SEATED ROWS.
- STAINLESS STEEL OPTIONS.
- UPGRADABLE MULTI GRIP CHIN UP.
- D0.6 X W1.2 X H2.3 WEIGHS 400KG, HEIGHT IS CUSTOMISABLE FOR LOW CEILINGS

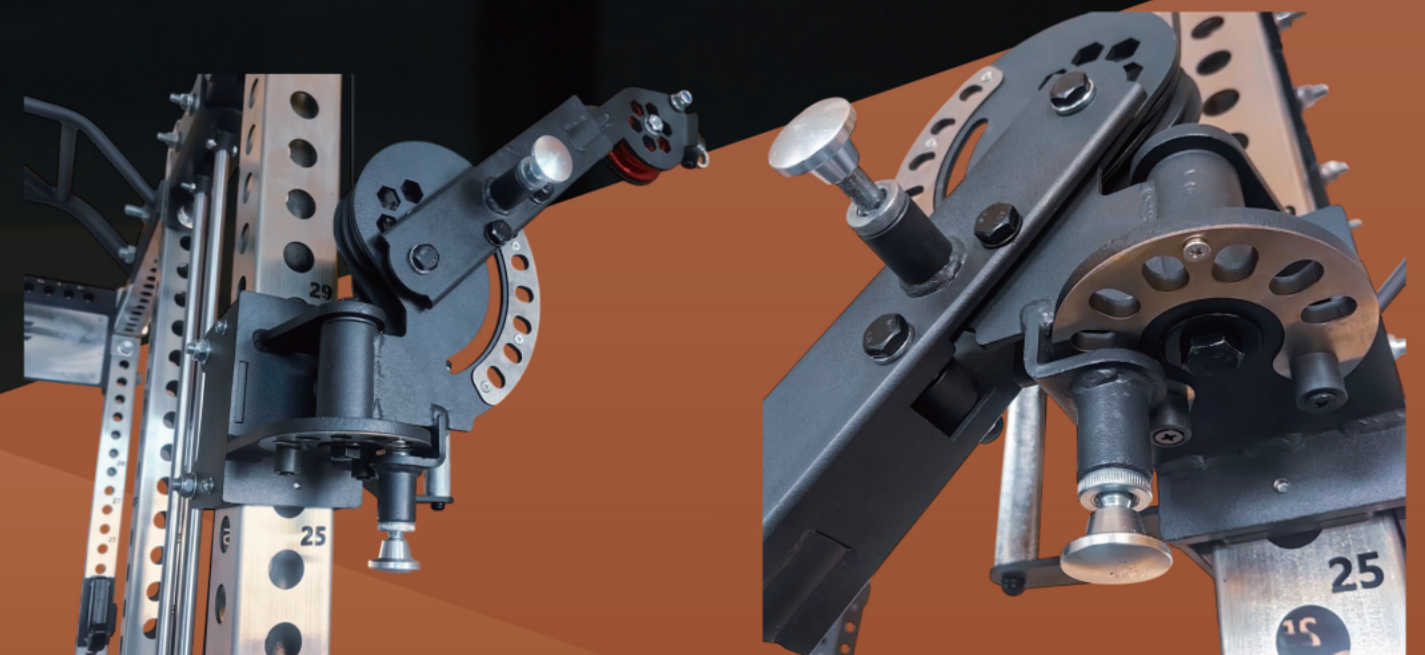
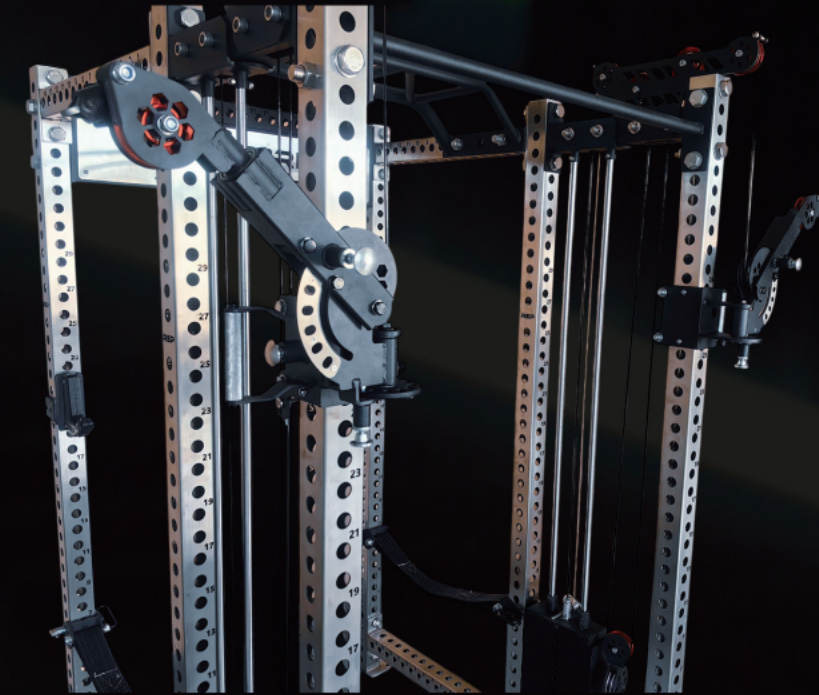




**FREE MOTION ARM  
ALL-IN-ONE MF TRAINER**



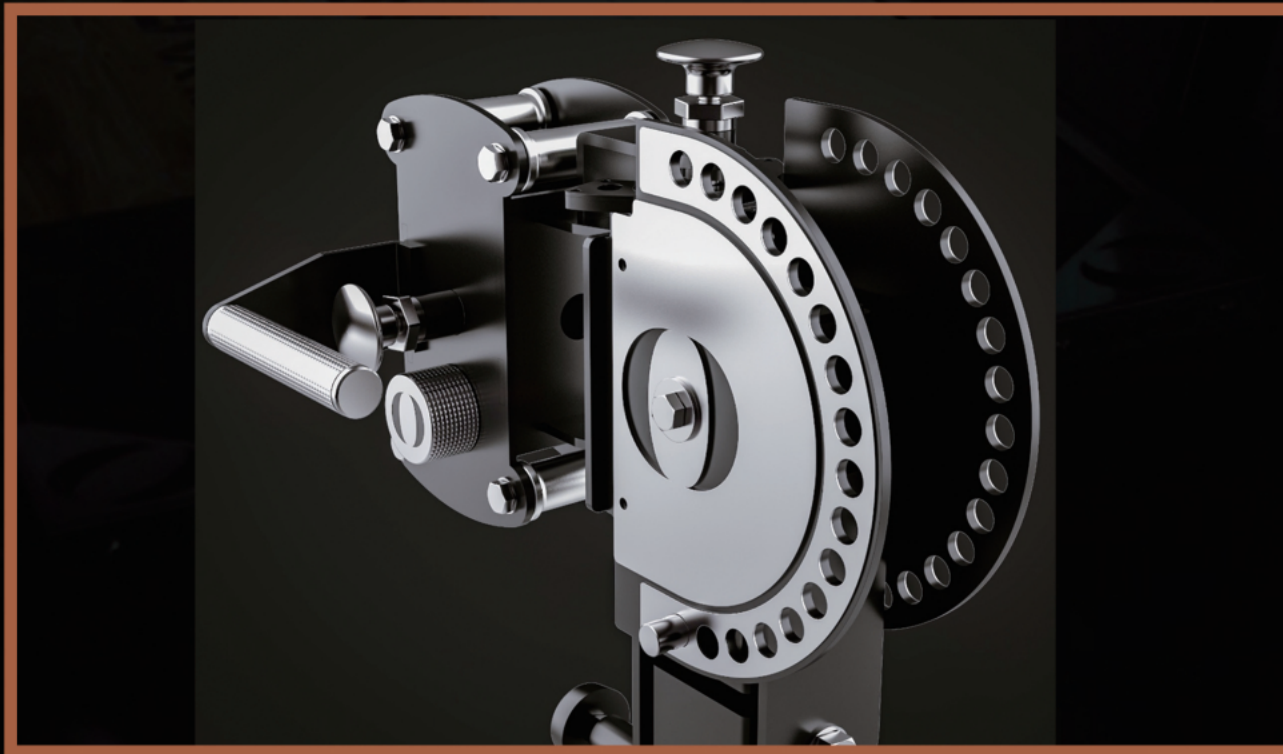
- ADJUSTABLE FREE MOTION ARMS FOR A WIDER PEC FLY.
- DEDICATED LAT PULL DOWN AND LOW ROW PULLEYS.
- D0.6 X W1.2 X H2.3 WEIGHS 400KG, HEIGHT IS CUSTOMISABLE FOR LOW CEILINGS





## ZENITH ULTRA ARMS

- TRUE CONVERGING MOVEMENT PATTERN.
- REDUCED WEIGHT BY REPLACING THE CLUNKY HANDLES FOR EASE OF MANOEUVRABILITY.
- STAINLESS STEEL & ALUMINIUM PARTS.



- 3 WAY MOVEMENT ON ALL 3 AXIS.
- FITS BOTH 5/8" & 1" HOLES WITH OUR UNIQUE PATENT PENDING PINS.
- LENGTH IS 1.24 METRES INCLUSIVE OF TROLLEY/CARRIAGE
- TOTAL LENGTH 1.24M INCLUSIVE OF THE TROLLEY/CARRIAGE SYSTEM, EACH ARM WEIGHS 21KG







OLYMPIAN  
FRONTIERS






## 100% 304 GRADE STAINLESS STEEL DUMBBELLS

- 304 GRADE STAINLESS STEEL INSIDE OUT.
- CUSTOM BRANDING AVAILABLE.
- PREMIUM KNURLING.

## CPU URETHANE DUMBBELLS

- PREMIUM GRADE NONE TOXIC NONE DEGENERATIVE URETHANE.
- THICKENED HANDLE ENDS FOR IMPROVED DURABILITY.
- SIGNATURE NONE ROLLABLE 12 SIDED DESIGN, AVAILABLE IN OTHER SHAPES TOO.
- AVAILABLE IN OTHER BASE COLOURS TOO FOR THE DUMBBELL HEADS.





***STAINLESS & ALLOY BARBELLS***  
***COMING SOON***





**O**  
OLYMPIAN  
FRONTIERS  
INTELLIGENT ATHLETICS  
25KG

**O**  
OLYMPIAN  
FRONTIERS  
INTELLIGENT ATHLETICS  
20KG

**O**  
OLYMPIAN  
FRONTIERS  
INTELLIGENT ATHLETICS  
15KG

**O**  
OLYMPIAN  
FRONTIERS  
INTELLIGENT ATHLETICS  
10KG

**O**  
OLYMPIAN  
FRONTIERS  
INTELLIGENT ATHLETICS  
7.5KG

**O**  
OLYMPIAN  
FRONTIERS  
INTELLIGENT ATHLETICS  
5KG

**O**  
OLYMPIAN  
FRONTIERS  
INTELLIGENT ATHLETICS  
2.5KG

**O**  
OLYMPIAN  
FRONTIERS  
INTELLIGENT ATHLETICS  
50KG

**O**  
OLYMPIAN  
FRONTIERS  
INTELLIGENT ATHLETICS  
50KG

**O**  
OLYMPIAN  
FRONTIERS  
INTELLIGENT ATHLETICS  
47.5KG

**O**  
OLYMPIAN  
FRONTIERS  
INTELLIGENT ATHLETICS  
45KG

**O**  
OLYMPIAN  
FRONTIERS  
INTELLIGENT ATHLETICS  
42.5KG

**O**  
OLYMPIAN  
FRONTIERS  
INTELLIGENT ATHLETICS  
40KG

**O**  
OLYMPIAN  
FRONTIERS  
INTELLIGENT ATHLETICS  
37.5KG

**O**  
OLYMPIAN  
FRONTIERS  
INTELLIGENT ATHLETICS  
35KG

**O**  
OLYMPIAN  
FRONTIERS  
INTELLIGENT ATHLETICS  
32.5KG



## **GHD HYPER & REVERSE HYPER 3 IN 1**

W1.2 x L1.46 x H1.16 Weighs 190kg

190KG SUPER DUTY BUILT.



ADJUSTABLE ANKLE ROLLERS & LINEAR BEARINGS ON GHD.

4 IN 1 SPACE SAVER: GHD, REVERSE HYPER, HYPER & ABDOMINAL CRUNCH.

ADJUSTABLE START/STOP POSITIONS & ANKLE ROLLERS ON REVERSE HYPER.

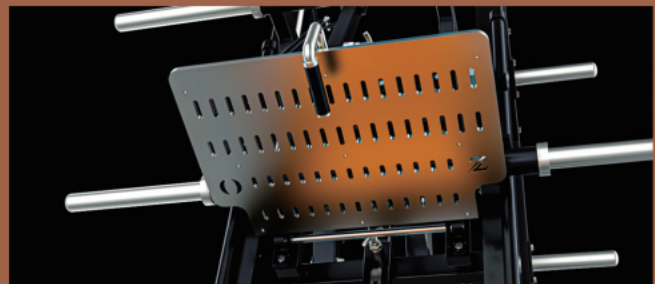
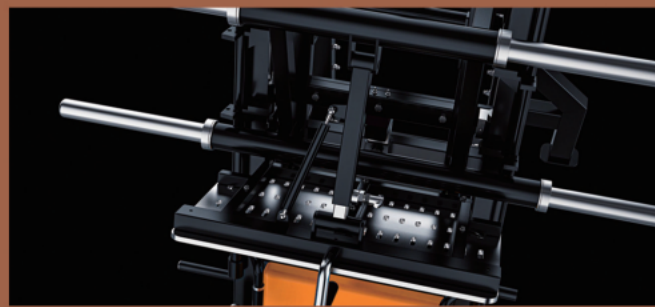


WHEELS AT REAR TO FACILITATE RELOCATION.



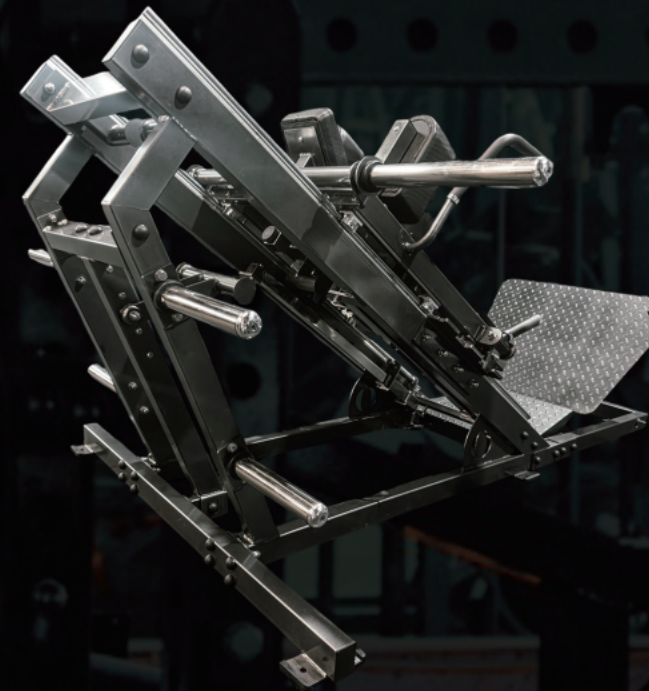
## ZENITH 69 DEGREE LEG PRESS PRO

- ADJUSTABLE SHOULDER SUPPORT
- ADJUSTABLE FOOTPLATE
- ADJUSTABLE BACKREST
- ADJUSTABLE BAND TENSION SYSTEM
- NET WEIGHT 350KG
- W1.7 X L2.2 X H1.88 WEIGHS 350KG



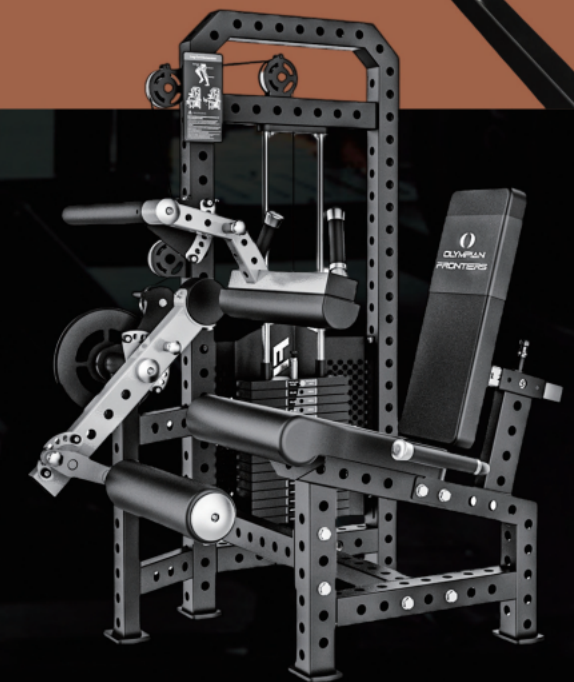
## HACK PRESS PRO

- SUPER DEEP ROM
- ADJUSTABLE XL FOOTPLATE
- ADJUSTABLE SAFETY STOP
- ERGONOMICALLY TILTED SUPER THICK SHOULDER PADS
- ADJUSTABLE BACKREST FOR LEG PRESS
- 2 COMPOUND LEG EXERCISES IN 1 MACHINE
- W1.7 X L2.4 X H1.22 WEIGHS 320KG



## SELECTORISED SEATED LEG EXTENSION & HAMSTRING CURL

- IMPROVED ROM FOR INCREASED STRETCH
- OVAL SHAPED THIGH GUARD THAT WON'T DIG INTO YOUR THIGHS
- W1 X L1 X H1.6 WEIGHS 305KG





## **LINKAGE LEG EXTENSION & CURL COMBO**

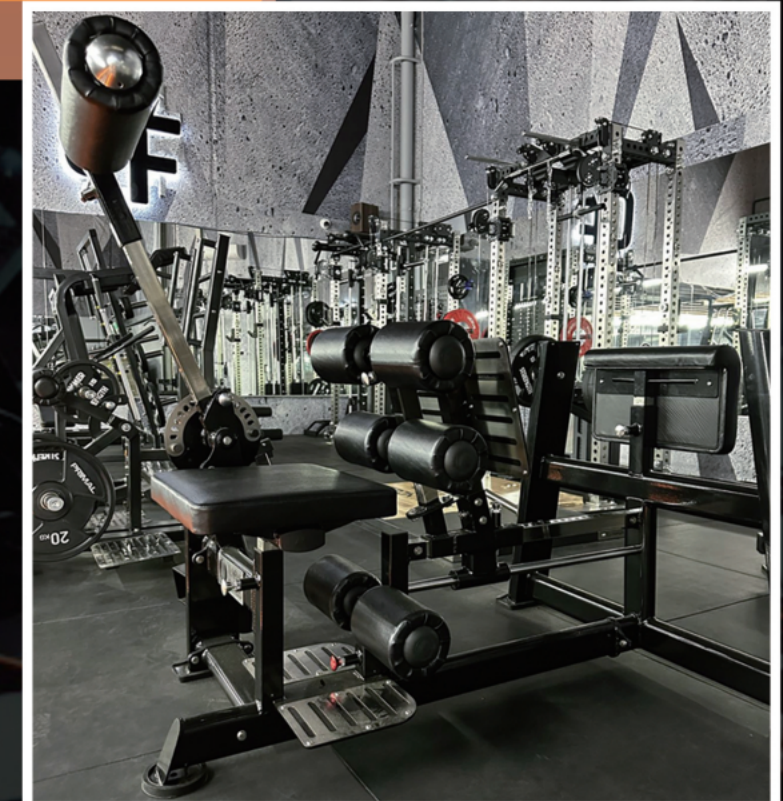
- LINKAGE SYSTEM FOR EVEN RESISTANCE DISTRIBUTION.
- 100KG NET WEIGHT WITH 3MM CARBON STEEL CONSTRUCTION.
- PREMIUM METALLIC POWDER COAT.
- CARBON FIBRE STYLE UPHOLSTERY.
- SILVER STITCHED EMBLEM.
- W1.3 X L1.33 X H1.2 WEIGHS 100KG



## **NORDIC CURL ANTERIOR CHAIN COMBO**



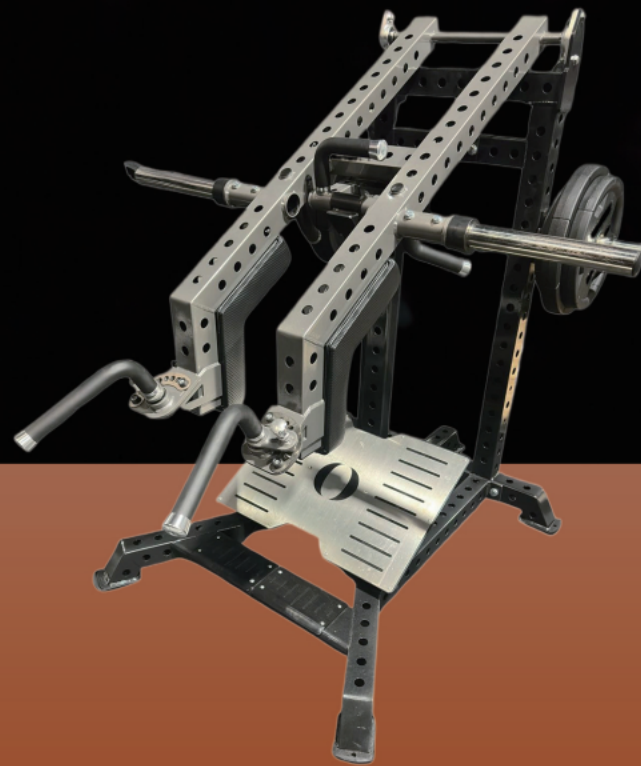
- UNIQUE 4 EXERCISES IN 1 MACHINE: ASSISTED NORDIC, ANTERIOR CHAIN, GHD & SISSY SQUAT.
- MULTI ADJUSTABLE SYSTEM TO SUIT ALL BODY TYPES.
- PLATE STORAGE HORNS.
- W1.65 X L1.66 X H1.6 WEIGHS 153KG





## **VIKING SQUAT CALF PRO**

- ADJUSTABLE FOOT PLATE FOR ANKLE MOBILITY.
- MULTI GRIP POSITIONS FOR PRESSING.
- COMFORTABLE CALF RAISE TUBE WITH NONSLIP PADDING.
- W1.46 X L1.52 X H1.6 WEIGHS 180KG



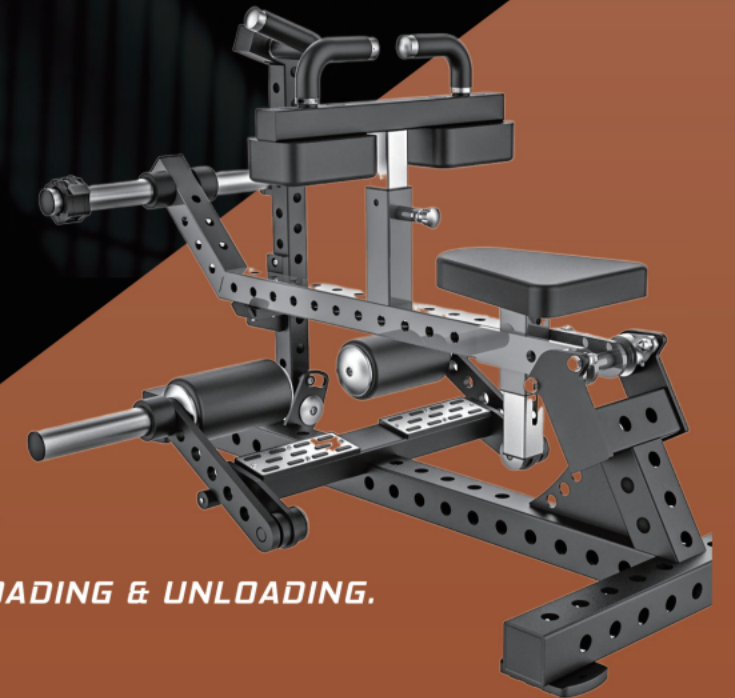
## **CABLED LEG EXTENSION & LYING LEG CURL COMBO**

- MULTI ANGLE ADJUSTABLE BACKREST
- ADJUSTABLE ANKLE & KNEE ROLLERS TO SUIT ALL USERS FROM 150CM TO 195CM HEIGHT
- EVENLY DISTRIBUTED RESISTANCE THROUGH CABLE MECHANISM
- W1.15 X L1.31 X H1.2 WEIGHS 65KG

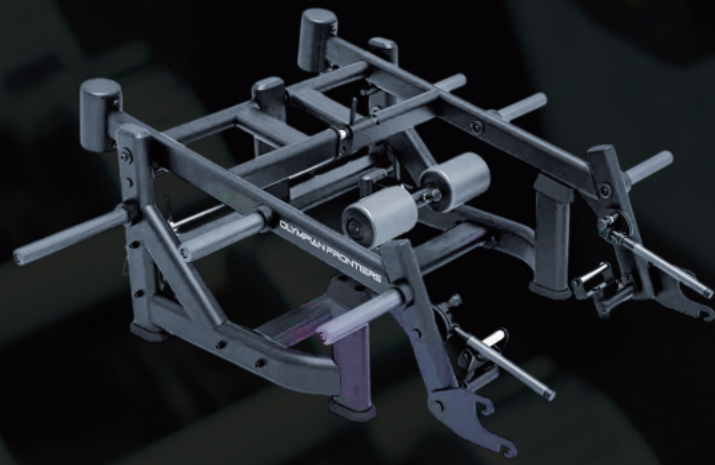


## **SEATED CALF TIBIA COMBO**

- TIBIA & CALF RAISE IN 1 MACHINE.
- HORIZONTAL HORNS FOR EASY LOADING & UNLOADING.
- EXTRA LARGE SEAT.
- CARBON FIBRE STYLE UPHOLSTERY WITH EXTRA DENSE PADDING.
- W0.76 X L1.46 X H0.93 WEIGHS 63KG







## **GROUND BASED MF TRAINER**

- DEADLIFT SPLIT SQUAT / LUNGE SHRUG ROW
- ADJUSTABLE ANKLE ROLLER FOR FOOT ANCHORING
- ADJUSTABLE HANDLES
- W1.1 X L1.1 X H0.8 WEIGHS 140KG

## **LYING & SEATED HAMSTRING CURL + EXTENSION 3 IN 1**



- WORLD'S FIRST 3 IN 1 LEG COMBO THAT ALLOWS YOU TO PERFORM BOTH LYING & SEATED HAMSTRING CURLS
- UNIQUE FOLDAWAY THIGH GUARD THAT WON'T DIG INTO YOUR THIGHS
- UNIQUE ADJUSTABLE START/STOP POSITIONS ALLOWING FOR MORE RESISTANCE AT THE BOTTOM ROM
- W1.39 X L1.14 X H1.22 WEIGHS 112KG

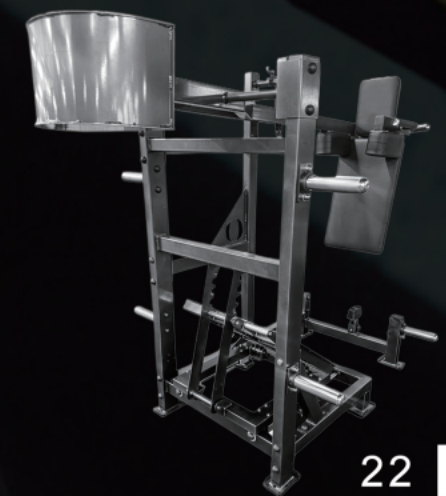
## **V POWER SQUAT**

- DUAL SAFETY HANDLES
- MULTI ANGLE PLATFORM
- FRONT & BACK SQUAT POSITIONS + GOOD MORNINGS
- W1.5 X L2 X H1.6 WEIGHS 235KG

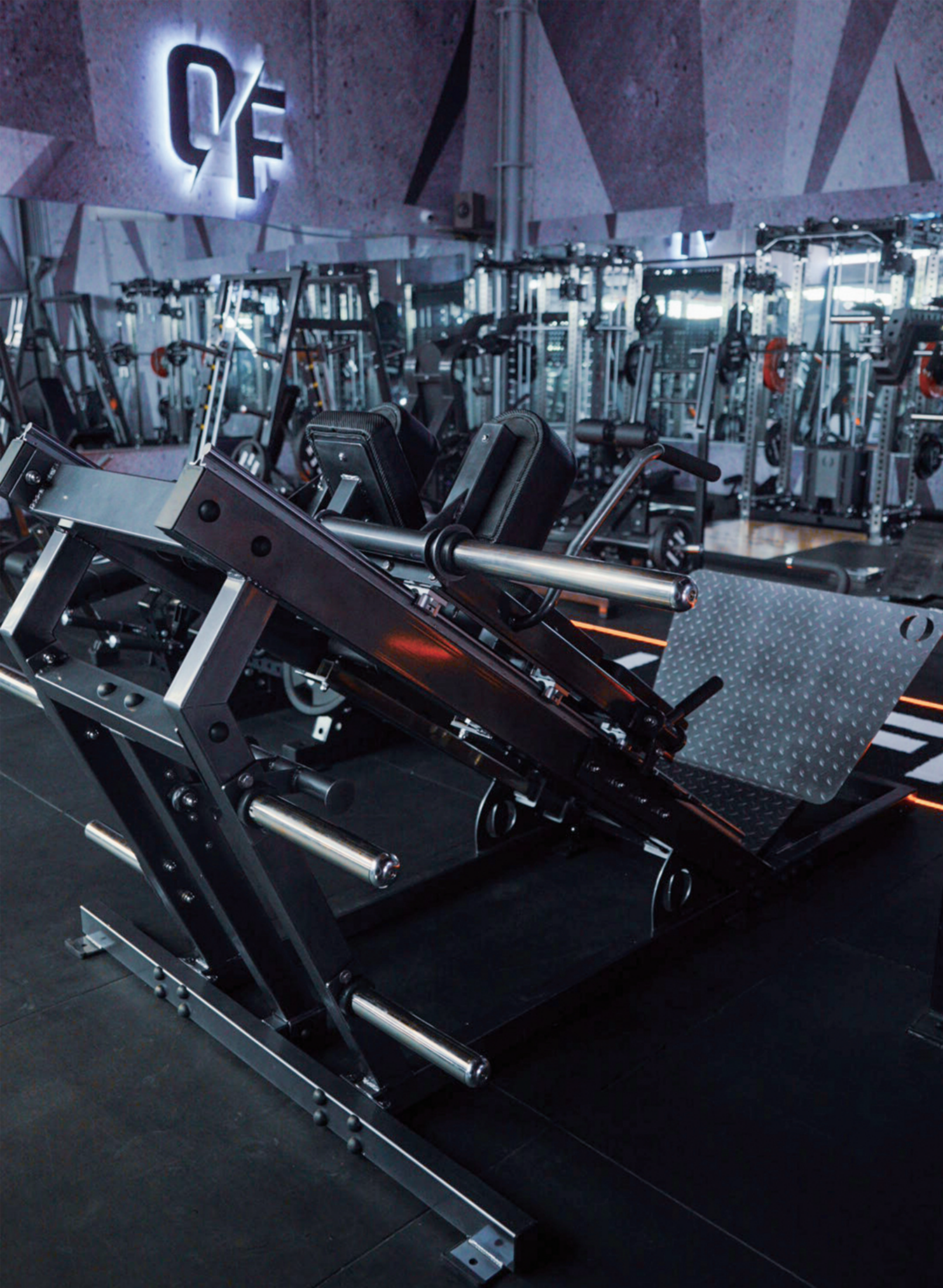


## **PENDULUM SQUAT**

- SLIDABLE PLATFORM SUITABLE FOR BOTH SHORTER & TALLER USERS
- MULTI ANGLES THAT NOBODY'S BIOMECHANICS WILL SAY NO TO
- LOADABLE COUNTER WEIGHT FOR GIRLS & BEGINNERS
- ADJUSTABLE SAFETY STOP
- W1.35 X L2.3 X H1.97 WEIGHS 251KG

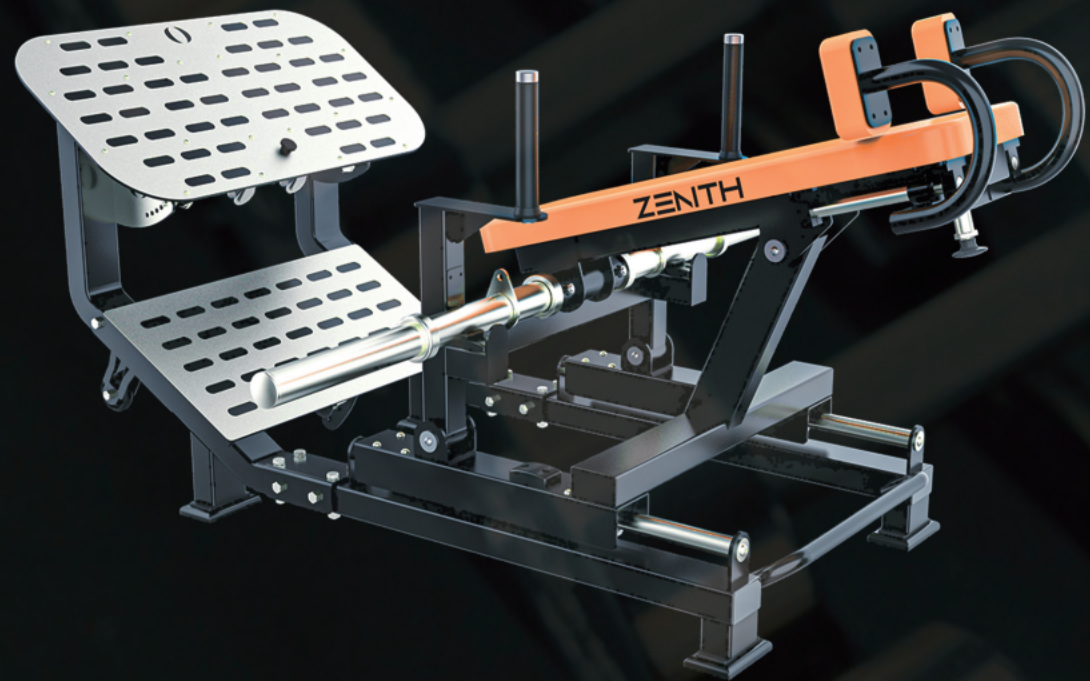








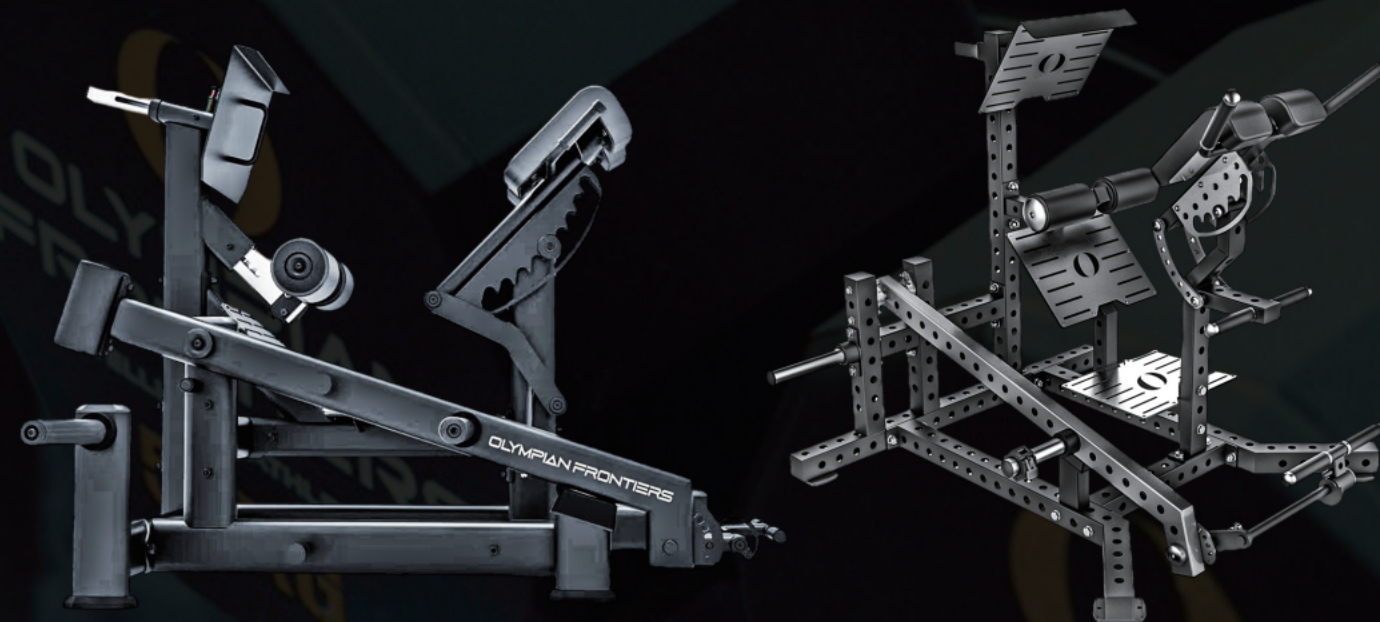
## ZENITH GLUTE DRIVE PRO



- ADJUSTABLE DUAL PLATFORMS WITH A PATENT PENDING SYSTEM
- ADJUSTABLE SHOULDER SUPPORT TO SECURE YOU IN PLACE
- SAFETY ARMS SO YOU DON' HAVE TO START FROM BOTTOM WHEN GOING HEAVY
- W1.49 X L1.7 X H1 WEIGHS 180KG

## LOADED GLYPERS

- ADJUSTABLE UPPER FOOTPLATE & THIGH GUARD
- ADJUSTABLE ANKLE GUARD & HANDLE POSITION
- UPPER FOOTPLATE TO ISOLATE GLUTES
- LOWER FOOTPLATE TO INCLUDE HAMSTRINGS
- W1.4 X L1.63 X H1.38 WEIGHS 175KG



## STANDING HIP THRUSTER

- WIDENED FOOTPLATE FOR SUMO STANCE
- ADJUSTABLE SEAT HEIGHT FOR EXTRA DEPTH/STRETCH
- SUPER COMPACT FOOTPRINT
- W1.1 X L1.1 X H1.4 WEIGHS 95KG





## GLUTEATOR PRO

- RECLINABLE BACKREST TO HIT DIFFERENT GLUTE FIBRES
- SLIDABLE SEAT ON LINEAR BEARINGS TO SUIT ALL SIZES OF USERS
- W1.45 X L1.6 X H1.4 WEIGHS 177KG



## 3D SMITH HIP THRUSTER

- ADJUSTABLE SHOULDER PADS TO SECURE YOU IN PLACE
- ADJUSTABLE HEIGHT & PLATFORM ANGLES
- FREE MOTION SMITH
- W1.7 X L1.6 X H1.4 WEIGHS 210KG



## POWER RUNNER PRO

- ADJUSTABLE TORSO LENGTH & HEIGHT
- XTRA THICK PADDING + QUAD HANDLES
- MIMICS SPRINTING PATTERN FOR PROFESSIONAL ATHLETES
- WD.95 X L1.4 X H1.5 WEIGHS 129KG



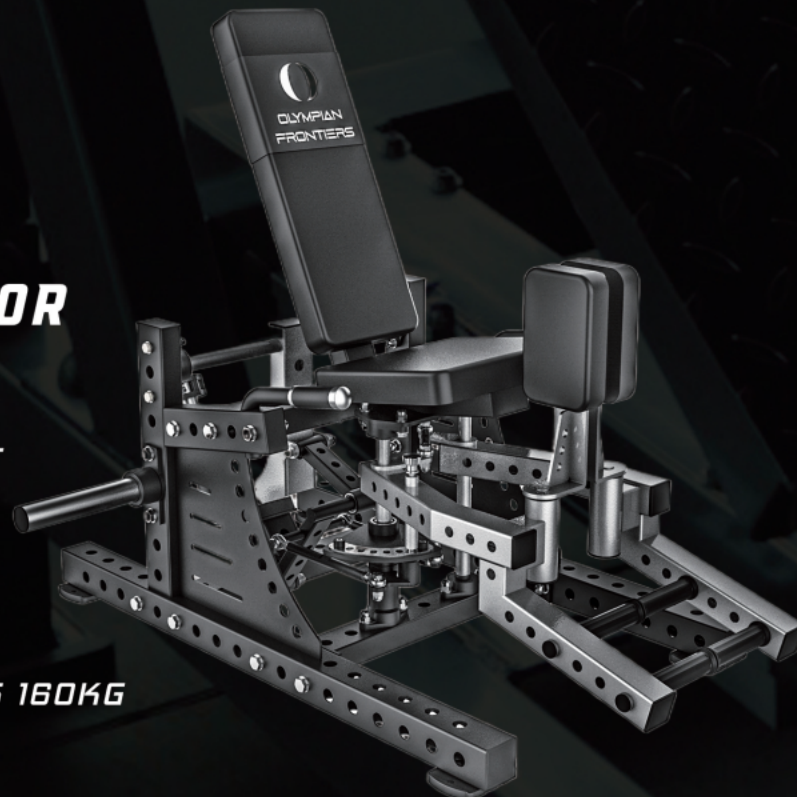
## POSTERIOR CHAIN ISOLATOR

- ADJUSTABLE HANDLE & SEAT/KNEE POSITIONS
- W1.45 X L1.05 X H1.6 WEIGHS 131KG



## MULTI HIP ABDUCTOR & ADDUCTOR

- RECLINABLE BACKREST TO HIT DIFFERENT MUSCLE FIBRES
- ADDUCTOR & ABDUCTOR 2 IN 1 MACHINE
- W1.35 X L1.56 X H1.23 WEIGHS 160KG



## GLUTE ISOLATING KICKBACK

- MAXIMISES GLUTE DEVELOPMENT WHILST MINIMISING QUAD INVOLVEMENT
- W1.2 X L1.5 X H1.5 WEIGHS 135KG









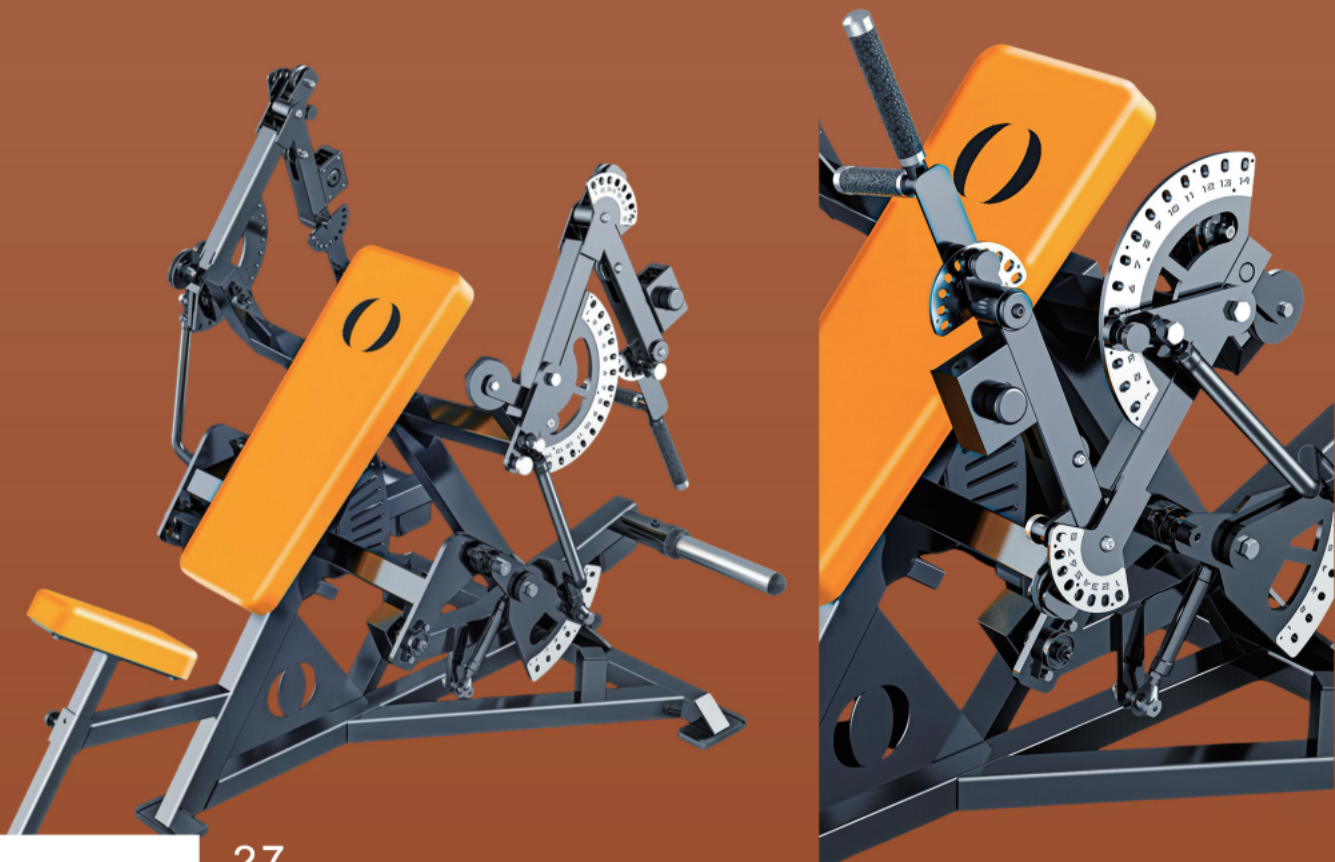
## **PULLOVER + ARMS BLASTER 5 IN 1**

- ADJUSTABLE TRIPLE JOINTS
- 5 EXERCISES IN 1 MACHINE: LAT PULLOVER, TRICEP OVERHEAD & PUSH DOWN, INCLINE BICEP & FRONT DELT
- W1.37 X L0.91 X H1.2 WEIGHS 175KG



## **HYPER ROW 2 IN 1**

- MULTI ANGLE HYPER.
- REMOVABLE HYPER HANDLES.
- CHEST SUPPORT ROTATES & LOCKS INTO A HIP SUPPORT.
- MULTI GRIP ROW HANDLES.
- W0.9 X L1.8 X H1.3 WEIGHS 102KG







## LAT ROW MF CABLE TOWER

- UNIQUE ADJUSTABLE START/STOP POSITIONS FOR ALL USERS
- PULL DOWN, HIGH ROW & SEATED ROW
- TRICEP, BICEP & SHOULDER WORK
- 130KG PURE CARBON STEEL SELECTORISED PLATES
- RESISTANCE BAND SYSTEM
- W1 X L1.76-2.1 X H2.35 WEIGHS 320KG

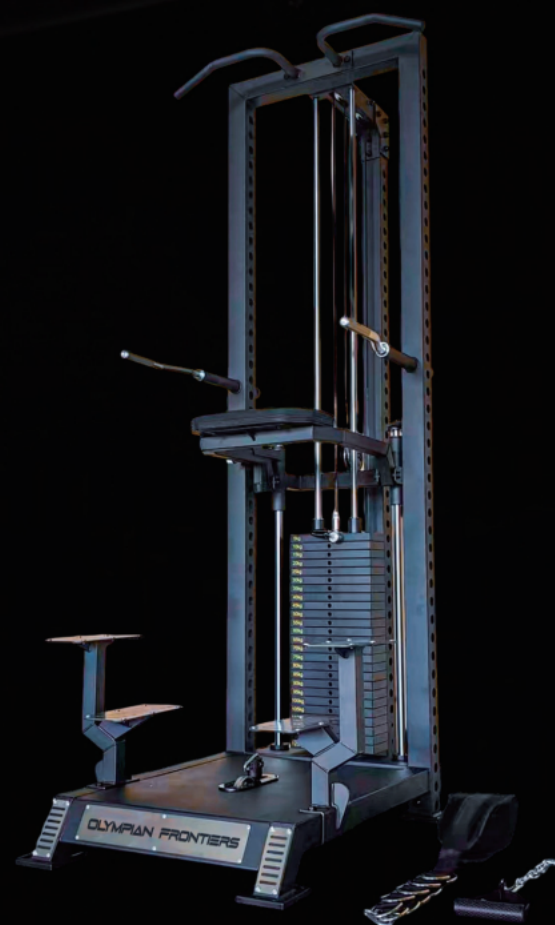
## SELECTORISED PEC DECK & REAR DELT

- IMPROVED STACK POSITION TO ALLOW EXTRA ROM FOR REAR DELT
- SUPER COMPACT FOOTPRINT
- UP TO 120KG PURE CARBON STEEL WEIGHT STACK
- MULTI ANGLE ADJUSTABLE BACKREST TARGETING UPPER & LOWER PEC FIBRES
- W0.7 X L1.1 X H1.96 WEIGHS 290KG



## CHIN DIP PRO 8 IN 1

- 8 EXERCISES IN 1 MACHINE: WEIGHTED & ASSISTED CHIN & DIP, BELT SQUAT, ROW, BICEP, UPRIGHT ROW
- COMES WITH A BELT
- PURE CARBON STEEL SELECTORISED WEIGHT PLATES
- W0.7 X L1.31 X H2.26 WEIGHS 305KG



## CONVERGING POWER SMITH 4 IN 1

- 4 IN 1 FOR ALL PUSHING MOVEMENTS
- INCLINE, DECLINE, FLAT & SHOULDER
- COMPACT FOOTPRINT
- W1.91 X L1.5 X H1.9 WEIGHS 240KG





## **CHIN DIP PRO**

- ASSISTED & WEIGHTED CHIN DIP
- BELT SQUAT & SEATED ROW
- UPRIGHT ROW & BICEP CURL
- W0.7 X L1.31 X H2.26 WEIGHS 305KG



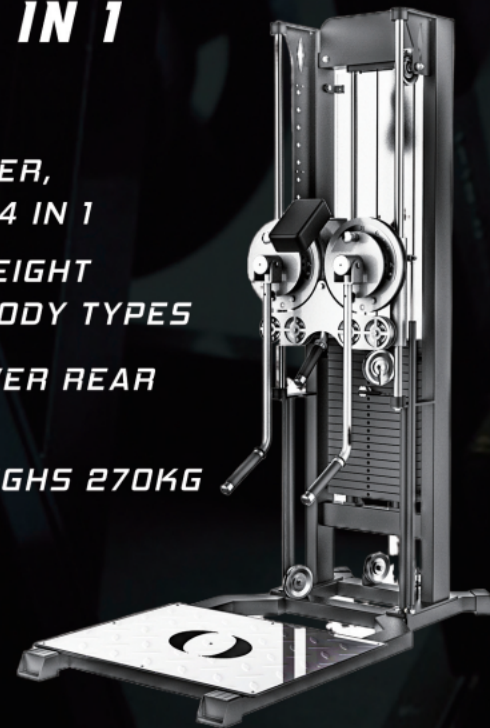
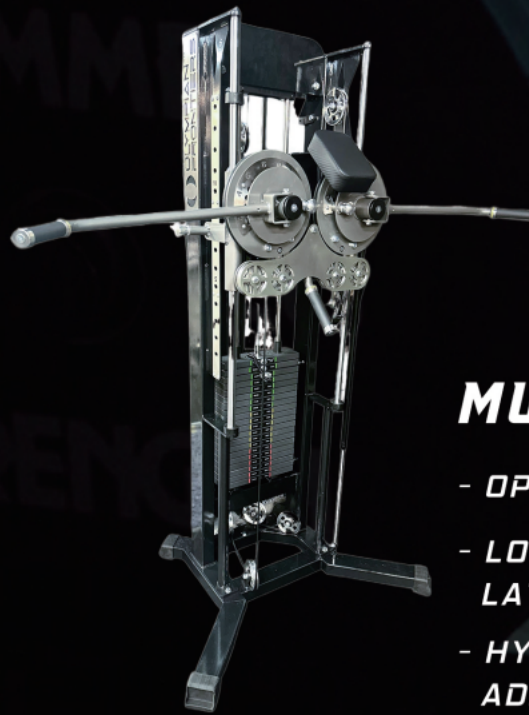
## **PLATE LOADED PEC DECK & REAR DELT**

- ADJUSTABLE BACKREST ANGLES TO TARGET UPPER & LOWER CHEST
- ADJUSTABLE ARM LENGTHS TO SUIT ALL USERS
- MULTI GRIP POSITIONS
- W0.94 X L1.09 X H1.22 WEIGHS 100KG



## **MULTI FLIGHT 4 IN 1**

- OPTIONAL PLATFORM
- LOWER CHEST, BENT OVER, LATERAL & FRONT DELT 4 IN 1
- HYDRAULIC ASSISTED HEIGHT ADJUSTMENT FOR ALL BODY TYPES
- HEADREST FOR BENT OVER REAR DELT FLYS
- W1.05 X L0.8 X H1.9 WEIGHS 270KG









## THE DELTONATOR

- IMPROVED RESISTANCE CURVE AT STRETCHED POSITION
- 2 IN 1 MACHINE: LATERAL RAISE + MILITARY PRESS
- GREAT FOR PRE-EXHAUST & SUPER SETS
- W1.29 X L1.5 X H1.5 WEIGHS 146KG



## SELECTORISED PEC DECK & REAR DELT

- IMPROVED STACK POSITION TO ALLOW EXTRA ROM FOR REAR DELT
- SUPER COMPACT FOOTPRINT
- UP TO 120KG PURE CARBON STEEL WEIGHT STACK
- W0.7 X L1.1 X H1.96 WEIGHS 290KG



## CONVERGING POWER SMITH 4 IN 1

- 4 IN 1 FOR ALL PUSHING MOVEMENTS
- INCLINE, DECLINE, FLAT & SHOULDER
- COMPACT FOOTPRINT
- W1.91 X L1.5 X H1.9 WEIGHS 240KG



## VIKING SQUAT CALF PRO

- ADJUSTABLE FOOT PLATE FOR ANKLE MOBILITY.
- MULTI GRIP POSITIONS FOR PRESSING.
- COMFORTABLE CALF RAISE TUBE WITH NONSLIP PADDING.
- W1.46 X L1.52 X H1.6 WEIGHS 180KG



## PLATE LOADED REAR DELT & PEC DECK

- ADJUSTABLE BACKREST ANGLES TO TARGET UPPER & LOWER CHEST
- ADJUSTABLE ARM LENGTHS TO SUIT ALL USERS
- MULTI GRIP POSITIONS
- W0.94 X L1.09 X H1.22 WEIGHS 100KG



## MULTI FLIGHT 4 IN 1

- OPTIONAL PLATFORM
- LOWER CHEST, BENT OVER, LATERAL & FRONT DELT 4 IN 1
- HYDRAULIC ASSISTED HEIGHT ADJUSTMENT FOR ALL BODY TYPES
- HEADREST FOR BENT OVER REAR DELT FLYS
- W1.05 X L0.8 X H1.9 WEIGHS 270KG







OLYMPIAN™  
FRONTIERS





## **PULLOVER + ARMS BLASTER 5 IN 1**

- ADJUSTABLE TRIPLE JOINTS
- 5 EXERCISES IN 1 MACHINE: LAT PULLOVER, TRICEP OVERHEAD & PUSH DOWN, INCLINE BICEP & FRONT DELT
- W1.37 X L0.91 X H1.2 WEIGHS 175KG



## **SELECTORISED BICEPS & TRICEPS**

- IMPROVED ROM ADDING MORE STRETCH TO BOTH MUSCLE GROUPS
- W1 X L1.2 X H1.65 WEIGHS 245KG



## **LAT ROW MF CABLE TOWER**

- UNIQUE ADJUSTABLE START/STOP POSITIONS FOR ALL USERS
- PULL DOWN, HIGH ROW & SEATED ROW
- TRICEP, BICEP & SHOULDER WORK
- 130KG PURE CARBON STEEL SELECTORISED PLATES
- RESISTANCE BAND SYSTEM
- W1 X L1.76-2.1 X H2.35 WEIGHS 320KG



## **PLATE LOADED BICEPS & TRICEPS**

- IMPROVED MODEL COMING SOON
- W1.3 X L0.95 X H1 WEIGHS 95KG





OF

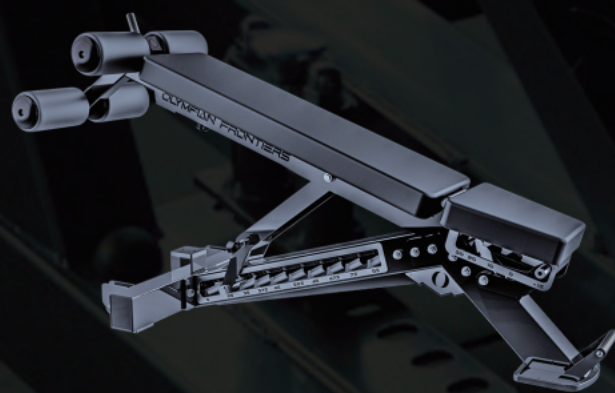






## ZENITH ONE BENCH

- OPTIONAL FOOT CATCH FOR DECLINE WORK
- MINIMAL GAP BETWEEN SEAT & BACKREST
- SUPER DUTY WEIGHING OVER 60KG
- NATURAL DECLINE
- 11 BACKREST ANGLES & 5 SEAT ANGLES
- STAINLESS STEEL INSERTS & LASER EMBLEMS
- WD.63 X L1.45 X HD.45 WEIGHS 62KG



## MULTI TARGET KICKBOXING STATION WITH OR WITHOUT PLATFORM

- OPTIONAL 1.8X1.5M PLATFORM SO YOU DON'T HAVE TO BOLT TO THE FLOOR
- HEIGHT ADJUSTABLE WITH HYDRAULIC ASSIST
- CUSTOMISATION AVAILABLE
- WD.83 X LD.75 X H2.06 WEIGHS 118KG (PLATFORM W1.5 X L1.8)

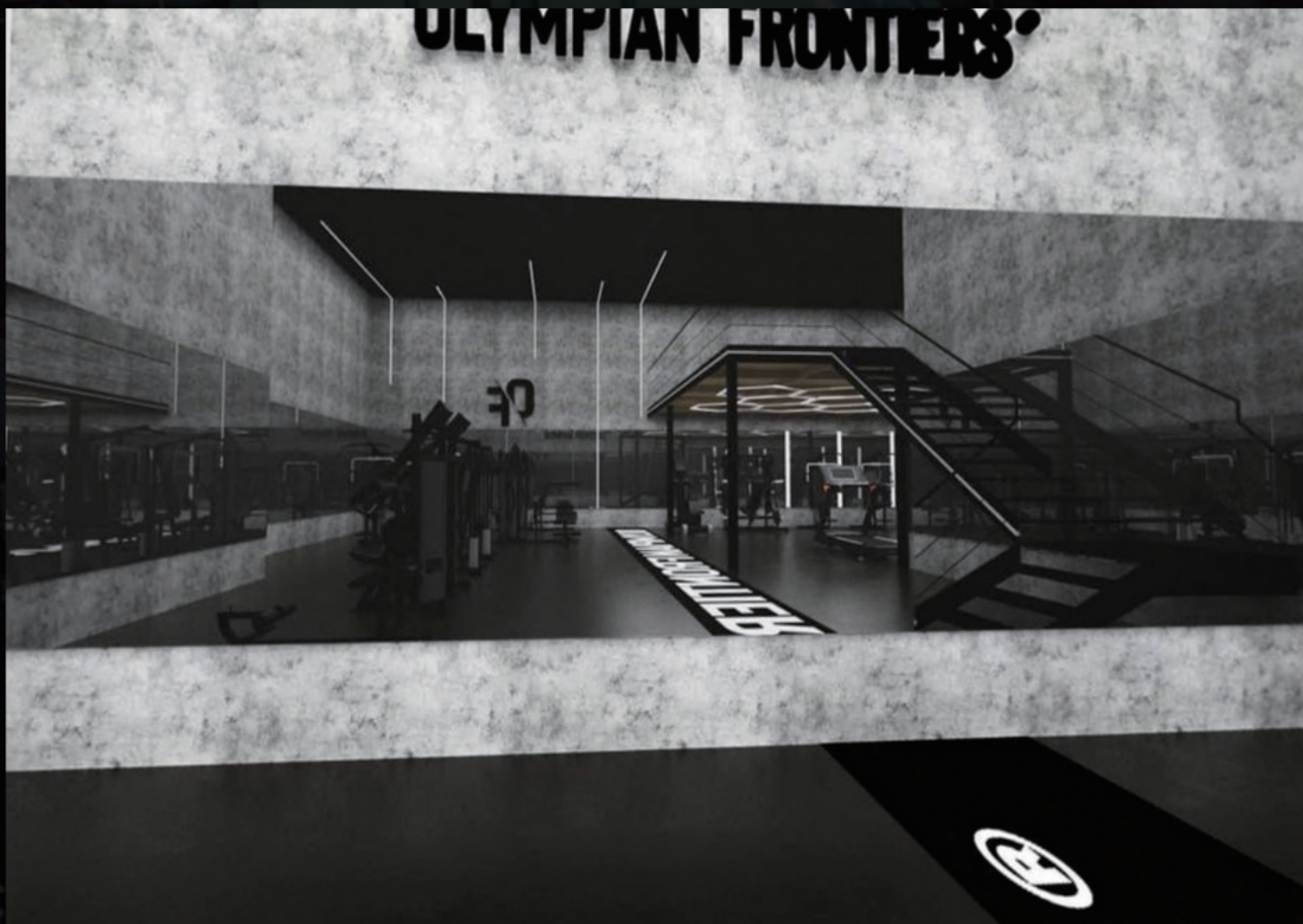








**OLYMPIAN FRONTIERS®**



## **MIRRORS**

- 6MM POLISHED PROFESSIONAL GYM MIRRORS
- COLOURED TINTS AVAILABLE OTHERWISE SILVER IS REGULAR
- CUSTOM SIZING



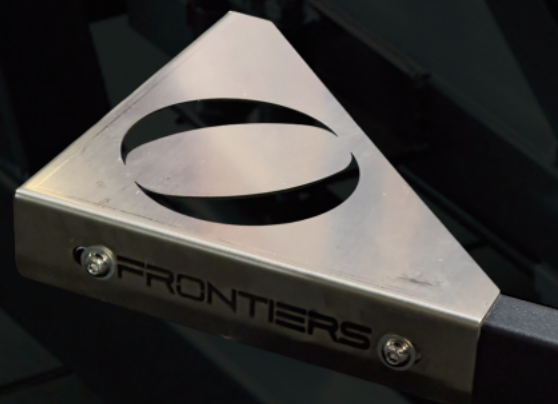
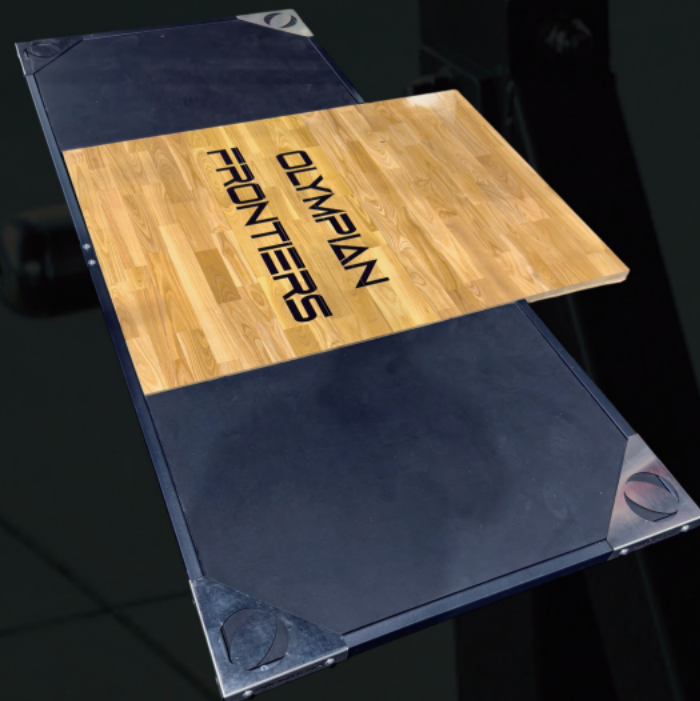
## **SUPER QUIET GYM FAN**

- BRUSHLESS DIRECT CURRENT PERMANENT MAGNET SYNCHRONOUS MOTOR.
- QUIETER THAN YOUR FRIDGE AT ONLY 43 DECIBELS.
- 1.5HP AT 4600 RPM.
- GIANT SIZE YET SMALL FOOTPRINT GREAT FOR CONTENT FILMING.
- W1.81 X D0.6 X H2.1 WEIGHS 150KG



## **WEIGHT LIFTING PLATFORMS**

- ACOUSTICALLY TESTED (67 DECIBELS WITH 100KG DROP FROM 1M HIGH)
- CUSTOM SIZING & THICKNESS
- CUSTOM BRANDING
- STAINLESS STEEL OR REGULAR BLACK POWDER COATED CORNERS
- SOLID PREMIUM ASHWOOD CENTREPIECE OR RUBBER CENTREPIECE WITH LASER LOGO



## **LOGO SIGNAGE**

- ILLUMINATED OR NON ILLUMINATED
- BACKLIT OR FRONT LIT
- STAINLESS STEEL OR ACRYLIC





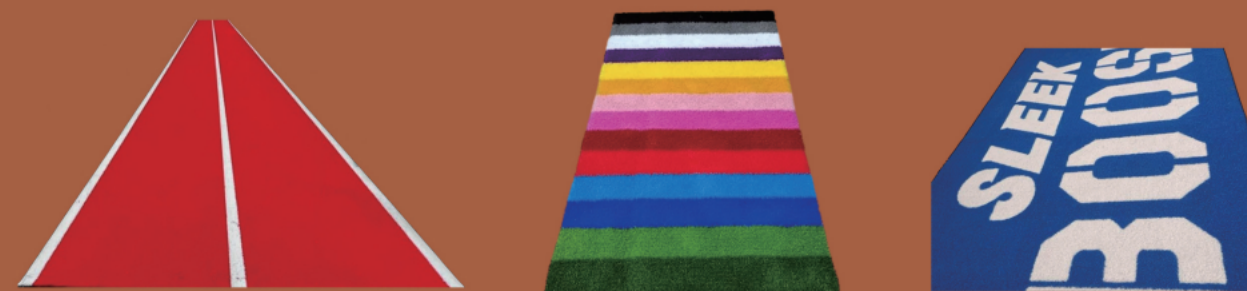
## PREMIUM RUBBER MATS

- 15 TO 50MM THICKNESSES AVAILABLE
- 20MM AND ABOVE COME WITH CLIPS SO YOU DON'T NEED TO APPLY GLUE
- EPDM PREMIUM ODOURLESS & NON TOXIC
- NON POROUS EASILY MAINTAINED WITH A WIPE
- FIRE RETARDANT SAFE FOR HOMES & COMMERCIAL GYMS



## ASTRO SLEDDING TURF (ARTIFICIAL GRASS)

- PREMIUM HIGH DENSITY & UV STABLE
- 15MM CURLY GRASS FOR SLEDDING
- 25MM STRAIGHT PLUS CURLY MIXED GRASS FOR GENERAL USE



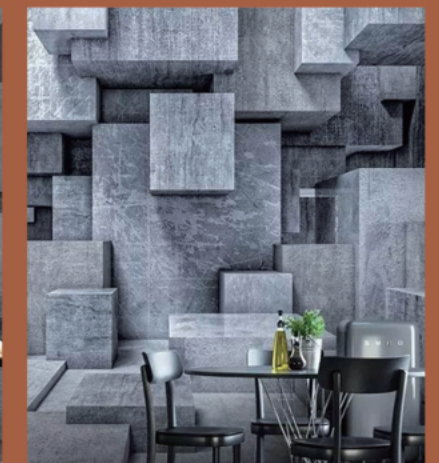
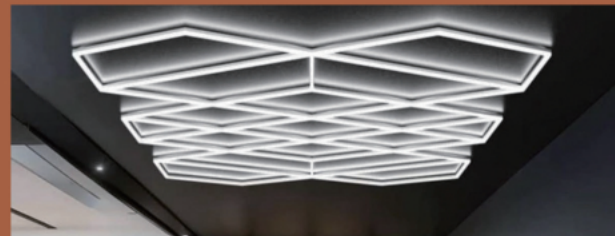


## HEX & DIAMOND LIGHTS

- QUANTITY OF HEX/DIAMOND CUSTOMISABLE
- PREMIUM PVC HOUSING
- 680W 220-240V

## 3D WALLPAPER / MURALS

- GREAT COST EFFECTIVE ALTERNATIVE TO PAINTING
- ADDS A UNIQUE CLASSY ATMOSPHERE TO YOUR FITOUT







 *OLYMPIAN\_FRONTIERS*

 *OLYMPIAN FRONTIERS*

*WWW.OLYMPIANFRONTIERS.COM*

*DESIGNED & ENGINEERED IN AUSTRALIA*

*5/509 PARRAMATTA ROAD LEICHHARDT NSW 2040*